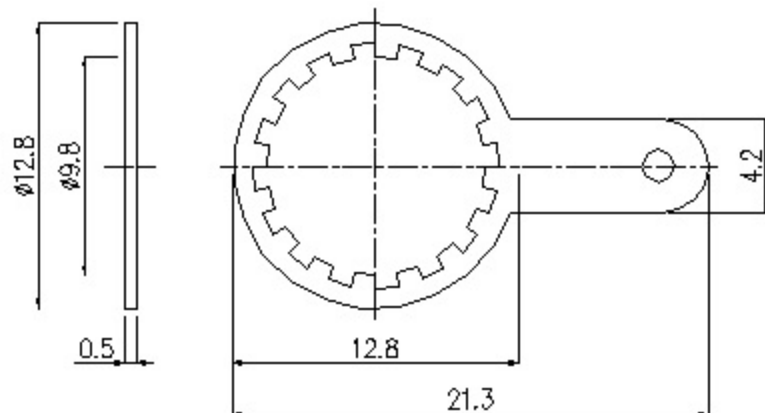
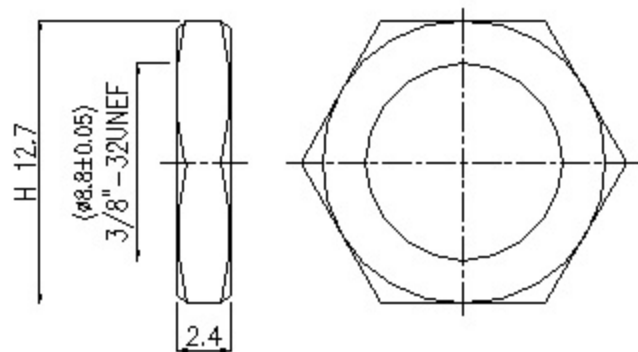



MOUNTING HOLE



NO	DESCRIPTION	MATERIAL	QTY	PLATING
1	BODY	BRASS	1	NICKEL
2	DIELECTRIC	DELTRIN	1	-
3	CENTER PIN	BRASS	1	GOLD
4	SOLDER LUG	BRASS	1	NICKEL
5	NUT	BRASS	1	NICKEL

DRAWN	SCALE	UNITS	 <small>cables &amp; connectors since 1995</small>	
	3.6:1	mm		
CHECKED	TOLERANCE		TITLE	TNC Male Crimp Connector- RG58 RG141 & LMR-195
	X	±0.2		
APPROVAL	XX	±0.1	SKU:	775
	XXX	±0.05		
	ANGLE	±0.5°		